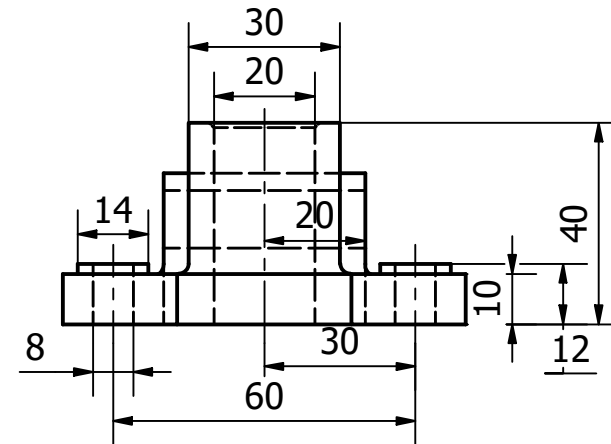
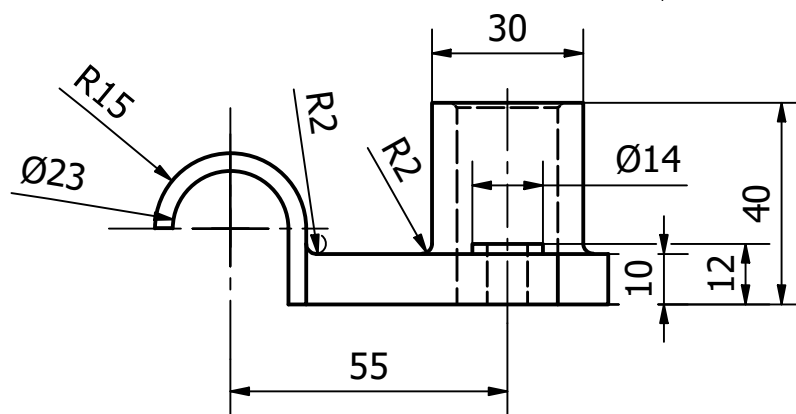


A-A ( 1 : 2 )



Designed by JaroS	Checked by	Approved by	Date	Date 10-9-2022	
			oefening 1 werktekening		Edition Sheet 1 / 1